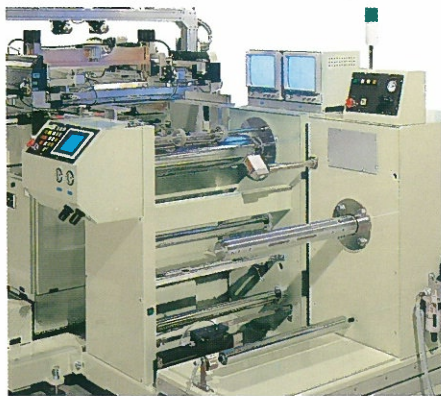


Roll to Roll System

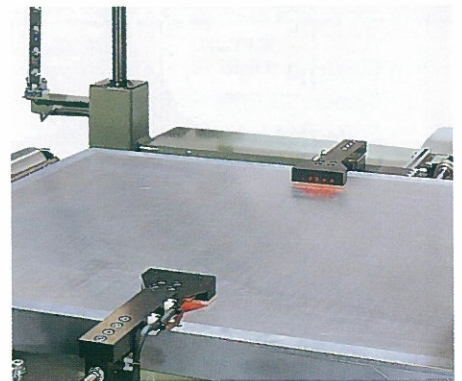
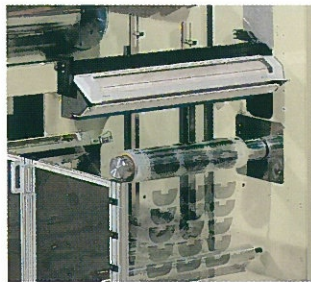
Precision Screen Printer

Roll-to Roll

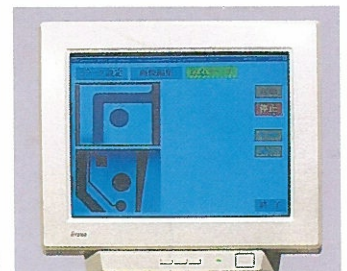
This endless-job printer is designed to print endless(roll)work. More than 20 years of experience have made this Roll-to-Roll printer possible. Its built-in flexibility meets every job requirement, be it the printing of flexible PCBs or film. Available in a broad variety of sizes and versions with width range from 35mm to 600mm. Inquire for details.



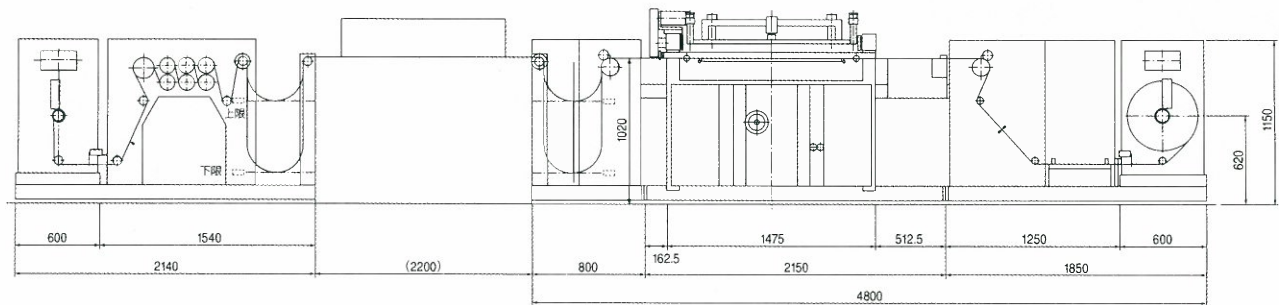
Rewinder with edge control



Vision system for registration



SYSTEM LAYOUT



EXAMPLE

Max print size	500 × 600mm
Print cycle	8sec
Accuracy	Less than ± 0.01mm
Diameter of web	500mm
Weight	Less than 100kg
Core	3 inch

OPTIONS

- Cleaning Unit
- Camera Registration System For Printing Frame
- Squeegee Pressure Equalizer
- Tension Controller For Winder
- Inspection Systems



MINO INTERNATIONAL LTD.